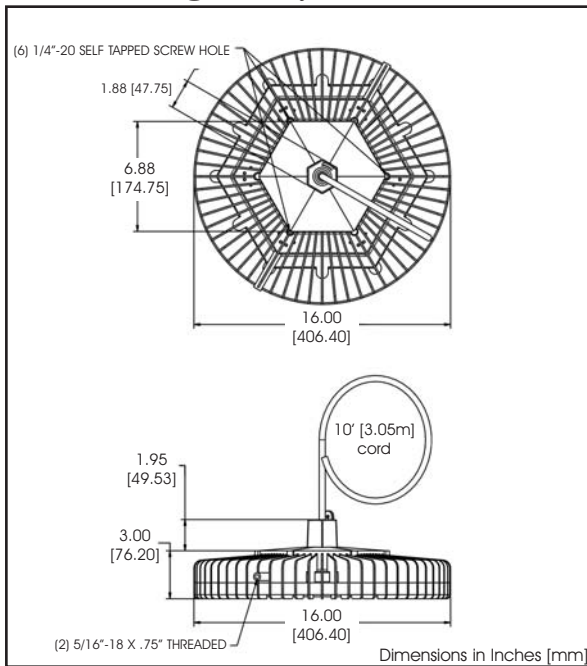


SafeSite® Series LED High Bay Fixture



Certifications & Ratings

- ▷ UL-844, UL-8750, UL-1598, UL-1598A
- ▷ CSA 22.2 #137

Features & Benefits:

- ▷ Low power consumption
- ▷ Instant on/off operation
- ▷ Universal input (100-277 VAC), 50/60Hz
- ▷ Superior color rendition index compared to HPS, LPS, MV
- ▷ Mercury free
- ▷ Resistant to shock and vibration
- ▷ Temperature compensation technology for longer life
- ▷ >80% lumen maintenance after 60,000 operating hours
- ▷ Copper free aluminum

Order Codes:

Part Number	Certifications						Lens	Initial Fixture Lumens
	CID1	CID2	CIID1	CIID2	CIID1	CIID2		
HBC9C3M	C / D	C / D	E / F / G	F / G	YES	YES	Glass	10,000
HBC8C3G	C / D	C / D	E / F / G	F / G	YES	YES	Glass	8,000
HBD2C4M		A / B / C / D		F / G	YES	YES	Polycarbonate	10,000
HBD3C4G		A / B / C / D		F / G	YES	YES	Polycarbonate	8,000

Application:

The first of its kind, the Dialight SafeSite Series LED High Bay luminaire was designed specifically to replace conventional high bay lighting fixtures in hazardous location applications. Its low profile light weight design allows for increased mounting versatility and ease of installation.

All of Dialight's long life LED luminaires are designed to meet the most demanding specification criteria while offering maximum energy savings, reduced maintenance costs, and a superior quality of light.

Mechanical Information:

Fixture Weight: HBC Series: 26 lbs (13.6kg)
HBD Series: 17 lbs (7.7kg)

Mounting: (1) 3/4" NPT Threaded
or
(2) 5/16"-18 x .75" SAE Thread

Electrical specifications:

Operating Voltage: 100-277VAC, 50/60 Hz

Total System Power Consumption: 150W

Harmonics: IEC 6100-3-2

Surge / Lightning Protection: 1 kV line to line
2 kV line to ground

THD: <5% (120VAC)
<10% (230/240VAC)
<12% (277VAC)

Power Factor: > 0.95

Construction:

Body: Powder Coated Aluminum

Photometric Information:

CRI (typ): 70

CCT (typ): 6000K (cool white)



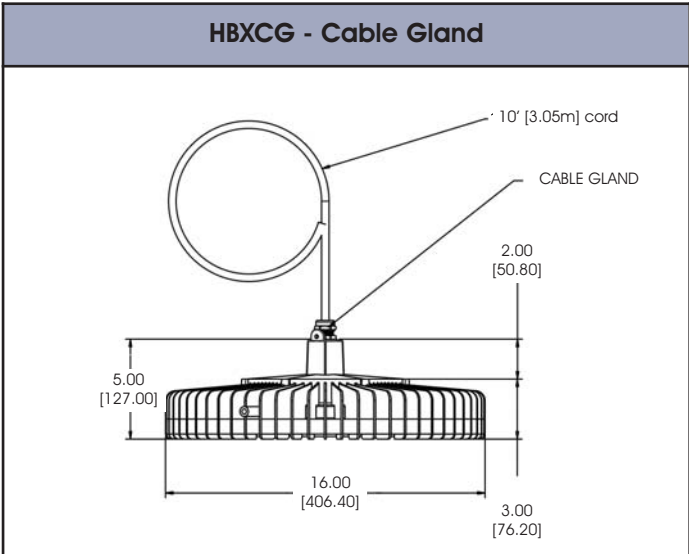
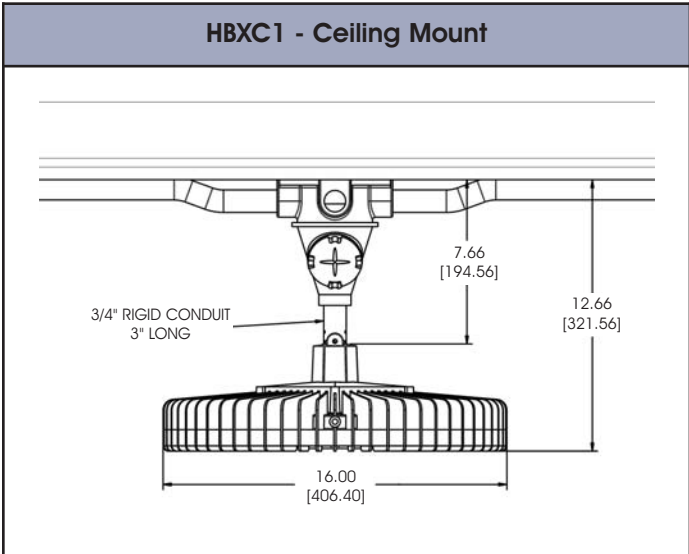
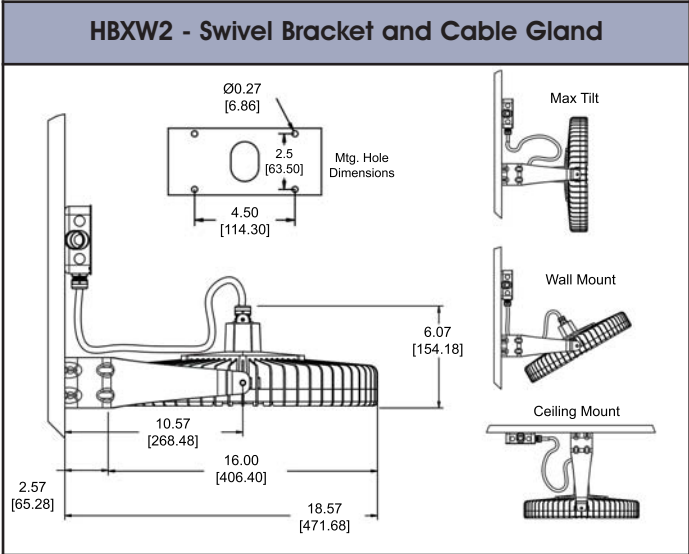
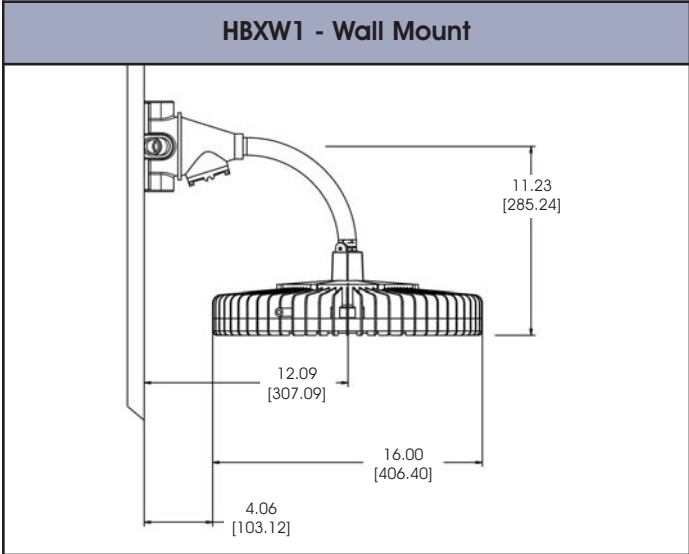
Designed in the U.S.A.
Meets Buy American requirements
under the American Recovery and
Reinvestment Act 2009

Temperature		
Series	Ambient Temperature Range	Operating Temperature Code
HBC	-40F to +149F (-40C to +65C)	T5
HBD	-40F to +113F (-40C to +45C)	T5
	-40F to +140F (-40C to +60C)	T4A

HB Series High Bay Fixture Mounting Options & Accessories

	Part Number	Description	Kit Includes	CID2	CID1
	No Part Number	Pendant Mount (Conduit supplied by installer)	Conduit supplied by installer	X	X
	HBXW1	Wall Mount	Junction Box Fixture Hanger Cover Rigid Pipe Sweep	X	X
	HBXW2	Swivel Bracket and Cable Gland	Swivel Bracket Bracket to fixture hardware Cable Gland	X	
	HBXC1	Ceiling Mount	Junction Box Fixture Hanger Cover 3" Rigid Pipe	X	X
	HBXCG	Cable Gland	Cable Gland	X	
	HBXT2	Junction Box with Transformer 347-480VAC to 240VAC		X	

HB Series High Bay Fixture Mounting Options & Accessories



Dimensions in Inches [mm]